

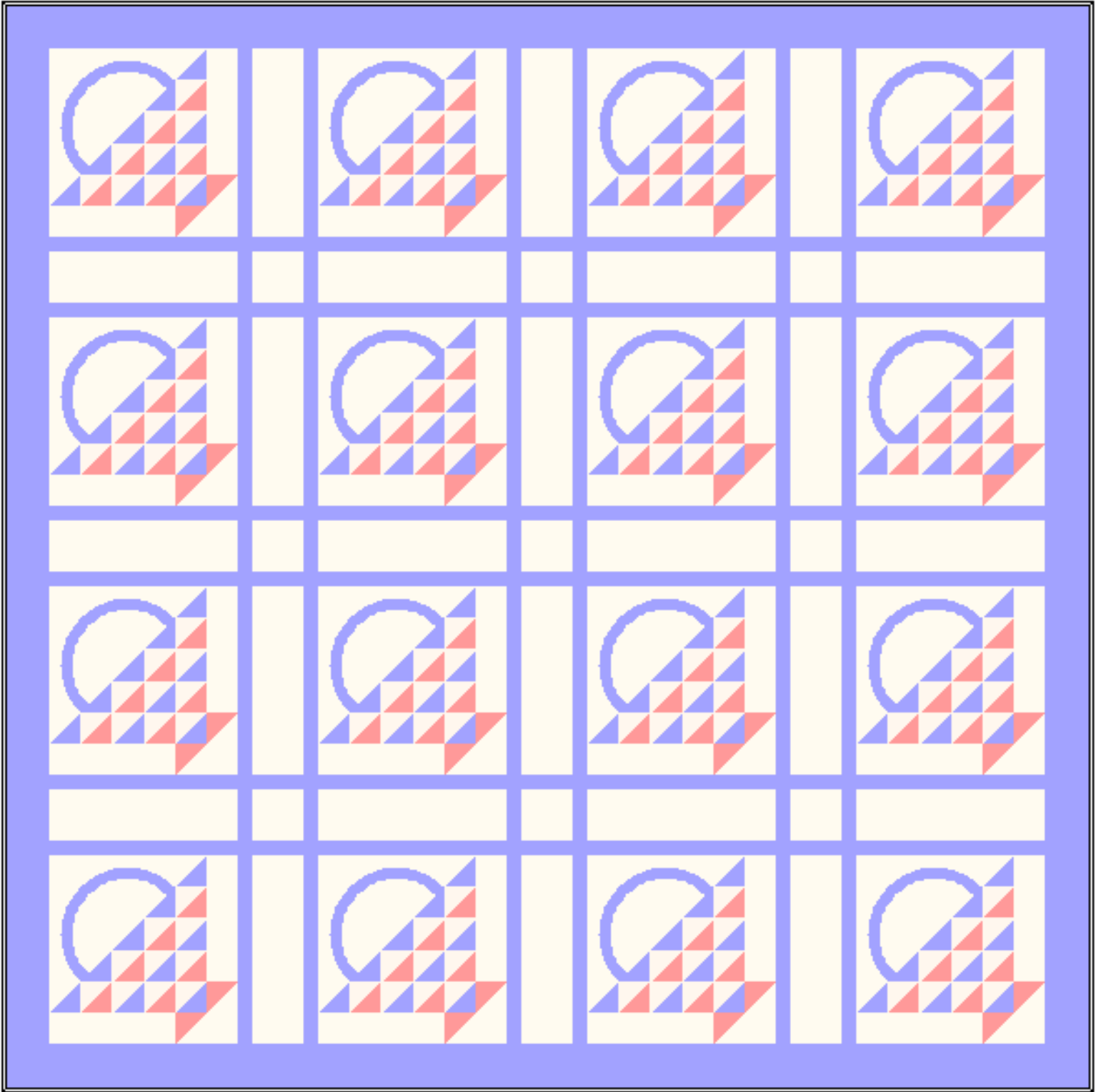
Em's Basket Quilt

Overall Size: 75.00 by 75.00 inches

Reproduction pattern based on quilt purchased at Em Schafstall's sale in 1977.

You can view the original quilt and story at

<http://www.doveinthewindow.com/EmsBasketquilt.htm>



Note: due to size of block, print template pages on legal size paper

Em's Basket Quilt

Instructions

Finished quilt size - 75" X 75"

- ❖ 13 inch basket blocks
- ❖ 5 1/2 " sashing
- ❖ 3" border

Fabric Estimates

40" wide fabric

Quilt Top, borders and binding

- 4 yards blue Fabric (original quilter used a pastel blue)
- 4 yards white Fabric (original quilter used bleached muslin)
- 16 fat quarters for scrappy baskets

Backing Fabric

- If using 40" fabric 4.5 yards (original quilter used bleached muslin)
- If using fabric at least 85" wide, 2.25 yards

Batting Estimates:

At least 85" wide

- 2.25 yards (original quilter used cotton batting)

Cutting Instructions

Binding

1 white square 30"x30". You will need 330 inches of white (unbleached muslin) binding. You can make 333" inches of binding from a 30" square of fabric. Recommended reading - Happy Endings, Finishing the Edges of Your Quilt by Mimi Dietrich.

Borders – store in zip lock bag labeled EB Borders

4 strips blue 3.5" wide by 95" long – store in zip-lock bag labeled EB borders

Sashing – store in zip lock bag labeled EB Sashing

8 strips blue 1.5" wide by 95" long

4 strips white 4" wide by 95" long

Baskets Blocks

32 white template A – store in zip lock bag labeled EB Template A

16 white template B (note the template is placed on the fold to form the top of the block) – store in zip lock bag labeled EB Template B

16 white template C - store in zip lock bag labeled EB Template C

16 white template E – store in zip lock bag labeled EB Handle

16 white template F – store in zip lock bag labeled EB Template F

32 scrappy fabric template D - store in zip lock bag labeled EB Feet (I would cut sets of 2 using the same fabric so that the feet match)

80 scrappy fabric templates D – store in zip lock bag labeled EB top row

80 white 3"x3" squares. I would do this by cutting 3" strips from remaining white and then cutting strips into 3" squares – store in zip lock bag labeled EB white half square triangles

80 scrappy 3"x3" squares. I would do this by cutting 3" strips from scraps or fat quarters and then cutting the strips into 3" squares. – store in zip loc bag labeled EB scrappy half square triangles

Em's Basket Quilt

Instructions

Assemble – refer to diagram on page 1 and page 4

Make sashing rectangles (make 48 rectangles)

Using strips from the bag labeled sashing, sew a 1.5" blue strip to the long edge of each 4" white strip.

Cut 48 6" wide by 13.5" long rectangles from the assembled strips



Make sashing squares (make 9 squares)

Using the remaining uncut assembled blue and white strips from the previous step,

Cut 9 6" wide x 4" long rectangles

Using remaining blue strips from the bag labeled sashing, sew a blue strip to each of the 6" sides of the 6"x4" rectangles making a 6"x6" square.



Make Basket blocks (make 16 blocks)

- Assemble the top half of the baskets

Sew one white template F to the inside curve of one template E. Clip and press curve

Sew one white template B to the outside curve of an assembled template E piece.

- Assemble the bottom half of the baskets

Using fabric from bags labeled half square triangles, make 160 half square triangle squares. Store squares in zip lock bag labeled 1/2 sq triangle squares

To do this take one white square and one scrappy square, place right sides together, draw a diagonal line from corner to corner, stitch 1/4" on either side of the diagonal line, cut on the diagonal line, fold open and press. Wha La... you have two assembled squares.

Using 10 squares from the bag labeled 1/2 sq triangle squares and triangles from the bag labeled top row triangles assemble the large triangle that makes the basket.

Refer to the diagram on page 1. Sew the triangle and squares in rows and then sew the rows to form the large triangle.

Using strips from bag labeled template A and triangle from bag labeled "basket feet", join one template A to one basket foot. Refer to diagram on page 1. Make 2 of these units.

Sew the units from the previous step to the sides of the large basket triangles.

To complete the bottom half of the basket, sew one template C piece to the basket feet.

- Sew the top half of the basket to the bottom half of the basket.

Using basket blocks and sashing rectangles assemble 4 rows of 4 baskets.

Using sashing rectangles and sashing squares assemble 3 rows of sashing.

Sew basket rows and sashing rows together per diagram on page 1.

Sew borders to assembled blocks

Sew binding to front of quilt top

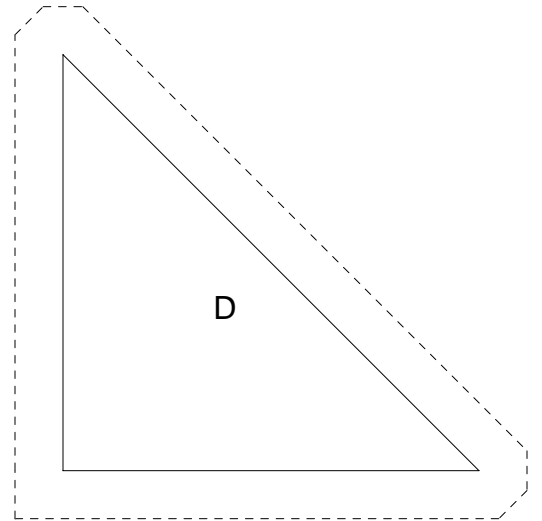
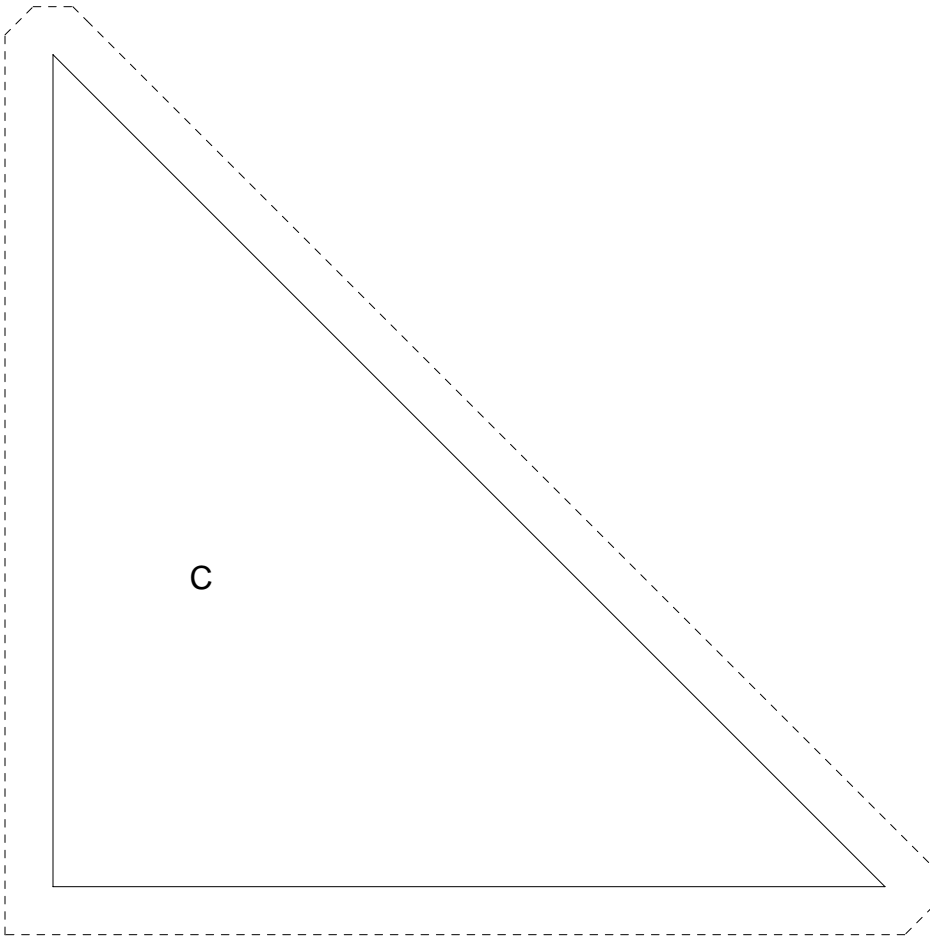
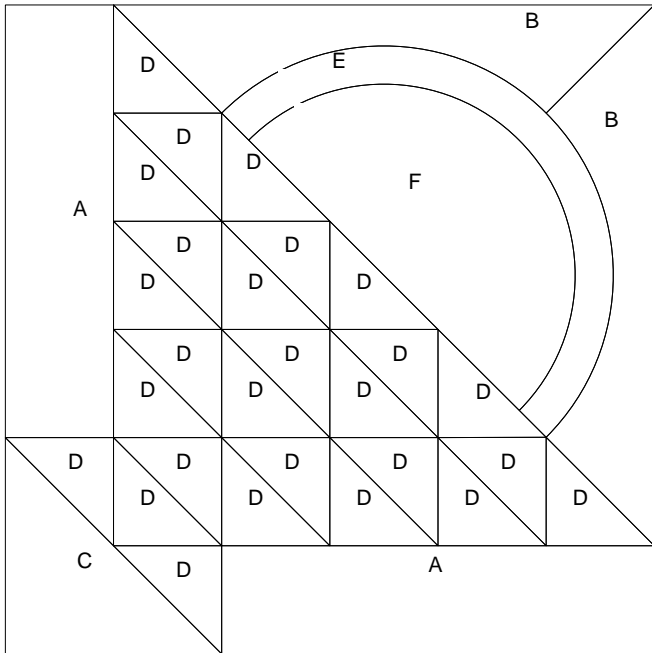
Layer backing, batting and top

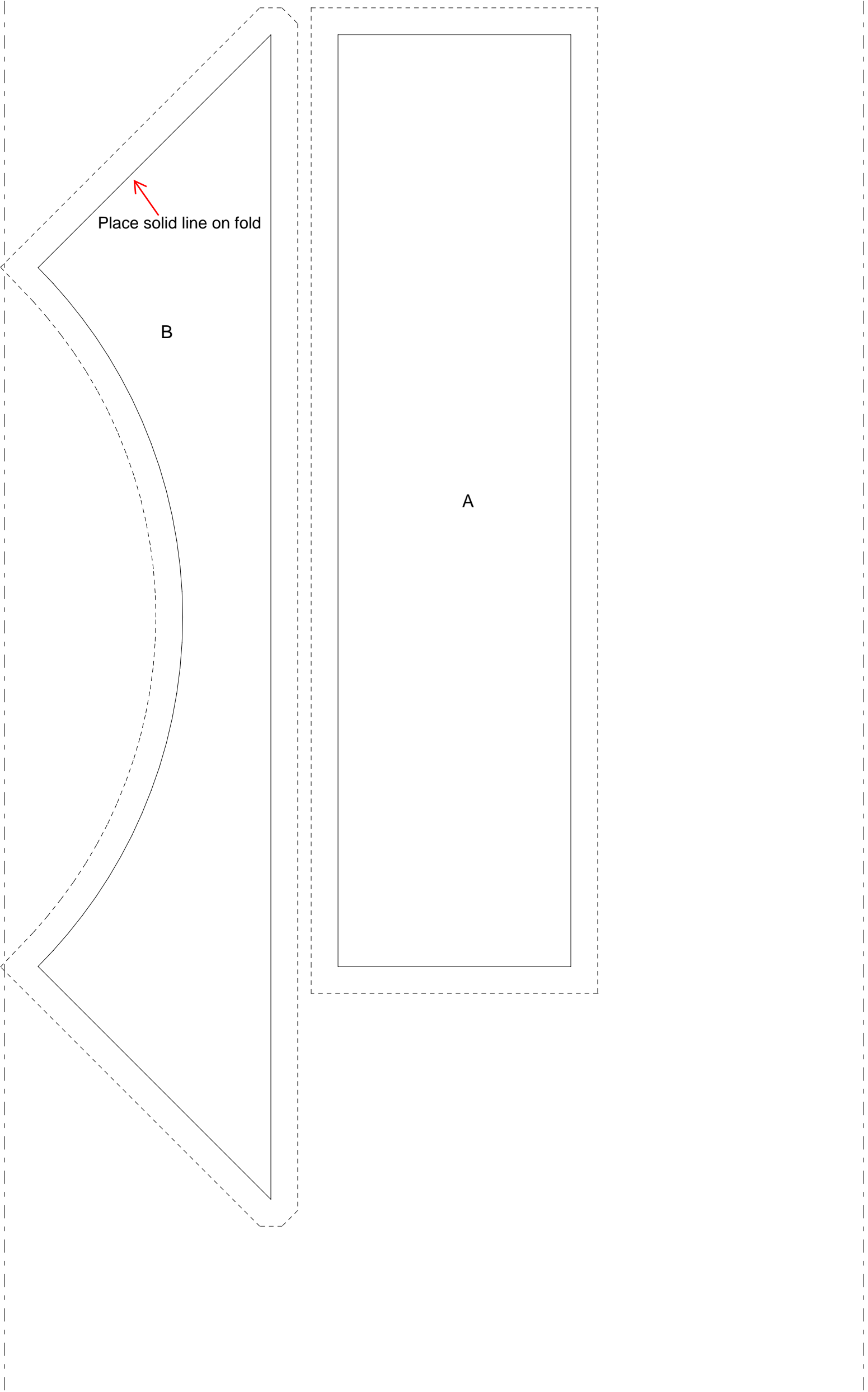
Baste

Quilt

Em's Basket Quilt Templates

Pattern for 13.00x13.00 block

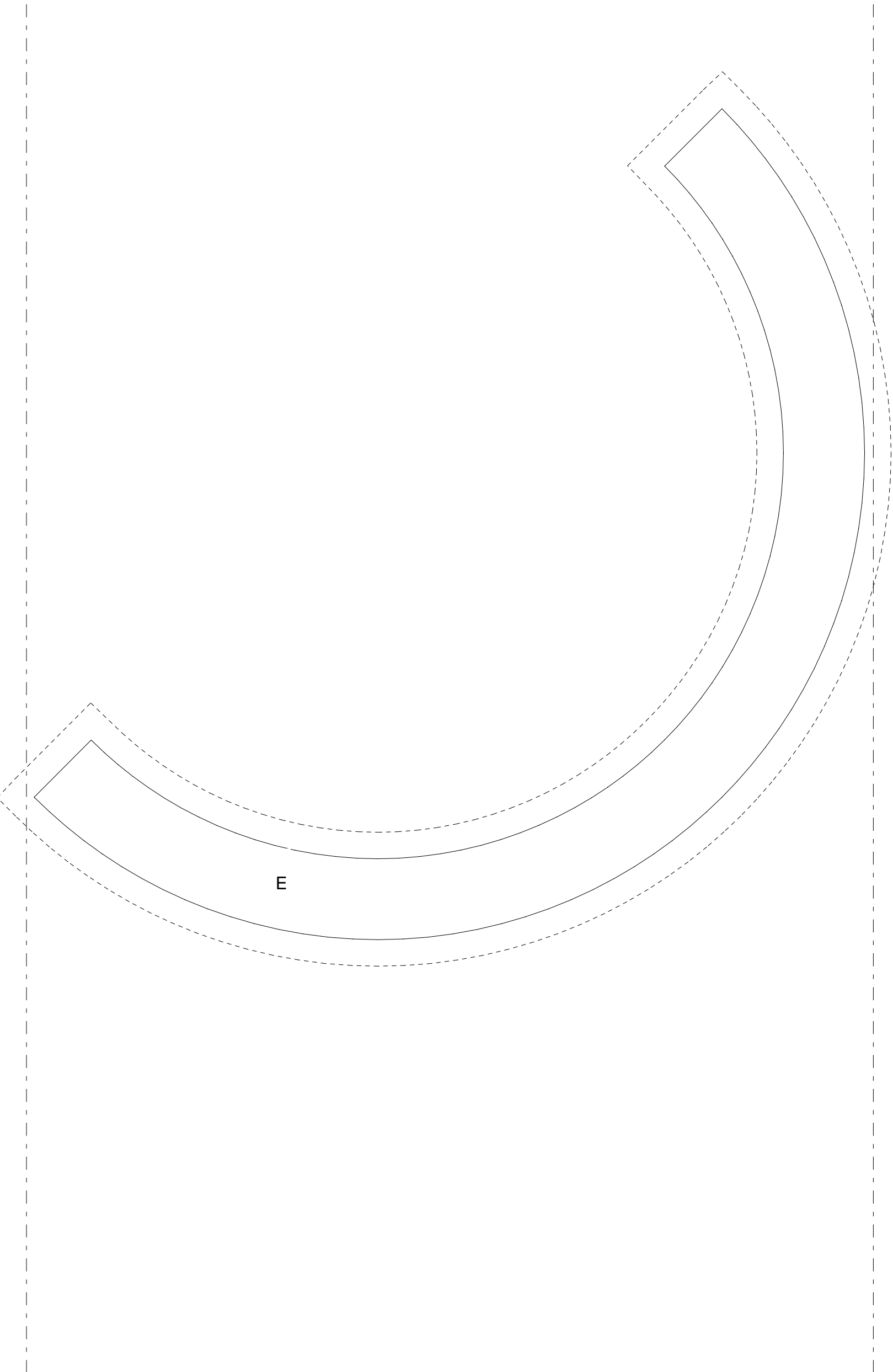




Place solid line on fold

B

A



E

